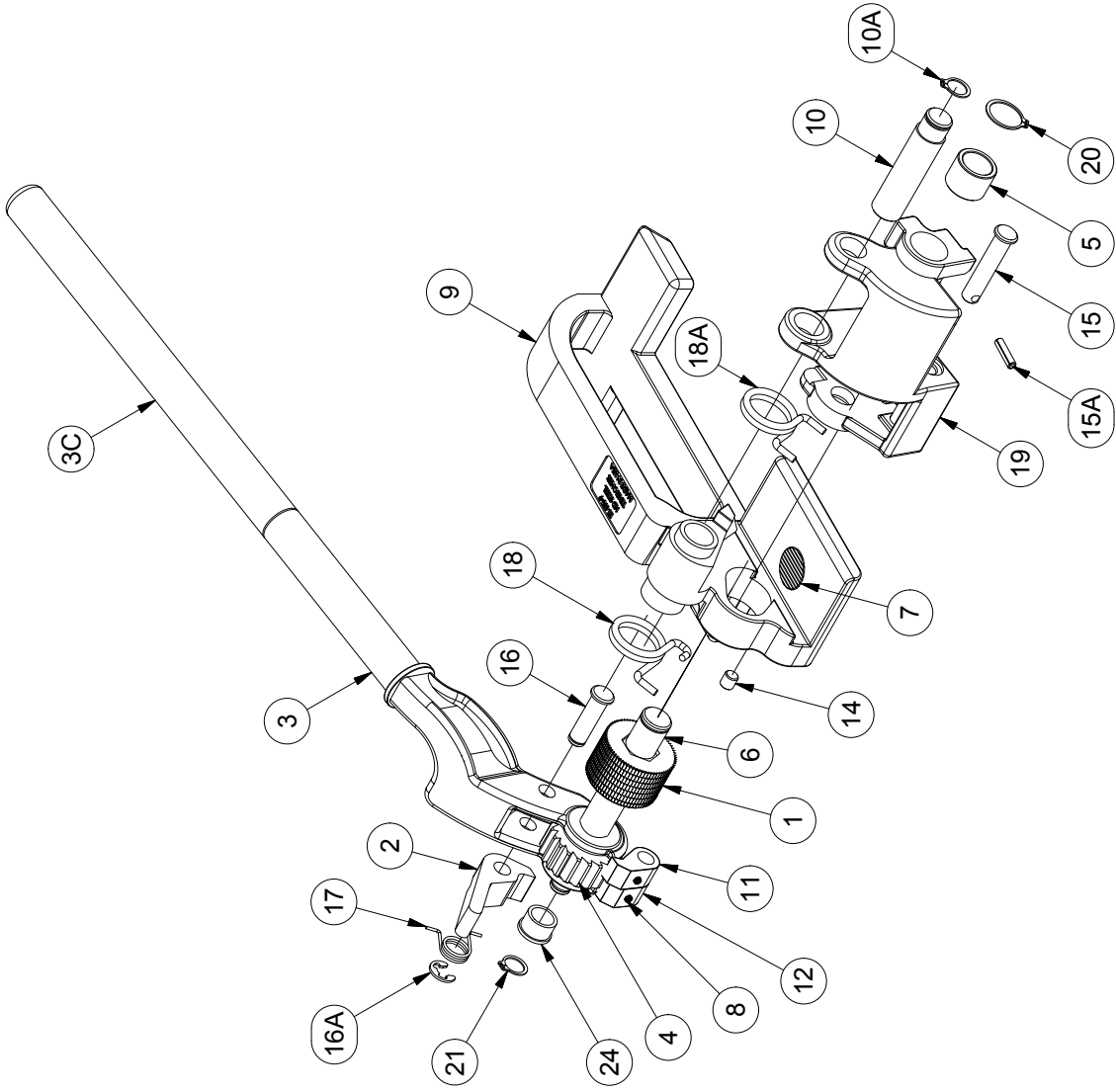


EP-1450 PARTS LIST

ITEM	QTY	PART#	DESCRIPTION
1	1	E1450-01	Feedwheel
2	1	E1450-02	Handle Pawl
3	1	E1450-03	Handle Assembly
3C	1	E1450-03-C	Handle Grip
4	1	E1450-04	Ratchet Gear
5	1	E1450-05	Bushing
6	1	E1450-06	Shaft
7	1	E1450-07	Clutch Plug
8	2	E1450-08	Pawl Spring
9	1	E1450-09	Base
10	1	E1450-10	Support Pin
10A	1	E1450-10-A	Retaining Ring - Med.
11	1	E1450-11	Long Pawl
12	1	E1450-12	Short Pawl
14	1	E1450-14	Set Screw
15	1	E1450-15	Clevis Pin
15A	1	E1450-15A	Clevis Roll Pin
16	1	E1450-16	Crosshead Pin
16A	1	E1450-16-A	Retaining Ring
17	1	E1450-17	Handle Pawl Spring
18	1	E1450-18	Right Support Spring
18A	1	E1450-18-A	Left Support Spring
19	1	E1450-19	Support Frame
20	1	E1450-20	Retaining Ring - Lrg.
21	1	E1450-21	Retaining Ring - Sm.
24	1	E1450-24	Flanged Bearing



EP-1450 OPERATING INSTRUCTIONS



Safety Warnings

- Before using the EP-1450 please follow all safety precautions. (Ex: Safety Glasses, Gloves etc.)
- Inspect tool for worn or broken parts before operating.
- Only trained operators should use this tool.
- Keep fingers away from areas of the tool that can pinch or cut, mostly found in the front of the tool.
- Excessive tensioning can lead to strap breakage/snapping. This is **EXTEMELY DANGEROUS** and may result in severe injury or death. Use caution when tensioning and check tension often.
- Tools are designed to work with specific strap widths and thicknesses as well as load types. Make sure tool and strap are compatible. The EP-1450 is recommended for use with steel strap, 3/4" to 1-1/4" wide and .025 to .031 thick on flat loads.
- Unsafe use of the EP-1450 may result in blindness, severe laceration, amputation or death.

Operating Instructions

Tensioning:

1. Position strap around load and position loose end of strap under the other strap. Make sure strap is firmly around package and aligned squarely.
2. While holding the strap in one hand, position the tool in place using your other hand. With the handle in the down position, place the strap so it is passing between the feedwheel (E1450-01) and the clutch plug (E1450-08). Make sure the strap is firmly against the inner edge of the tool and that the back of the base is on top of the strap, with the loose end of the strap closest to the package.
3. Once you are sure the strap is in the proper position as described above, tension the strap around the package by ratcheting the handle up and down. **DO NOT** push the handle all the way down to the base because the feedwheel will lift and the strap will release.

Sealing:

1. Once strap is tensioned around package, place a seal over both pieces of strap right in front of the tensioner. Use an appropriate tool, such as the EP-1880, and crimp the seal.
2. After crimping the seal release the tool by pressing the handle pawl (E1450-02) with thumb and push the handle to the base, raising the feedwheel. Slide the tool backside first away from the strap.
3. Using strap cutters, cut away excess strap as close to the seal as possible.