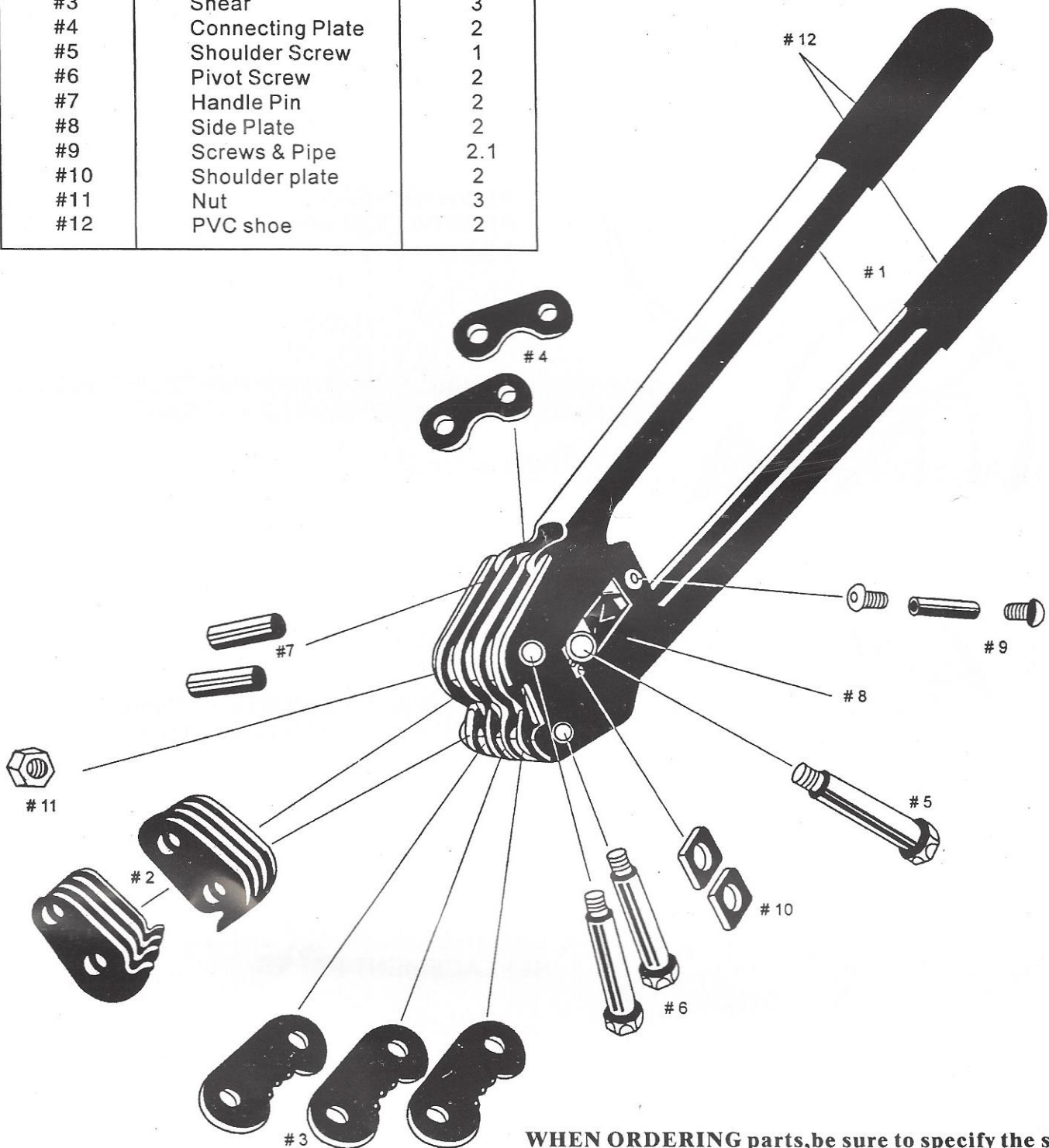


For Plastic Strapping

PARTS LIST		
Part No.	Part Name	Qty./Tool
#1	Handle	2
#2	Jaw	8
#3	Shear	3
#4	Connecting Plate	2
#5	Shoulder Screw	1
#6	Pivot Screw	2
#7	Handle Pin	2
#8	Side Plate	2
#9	Screws & Pipe	2.1
#10	Shoulder plate	2
#11	Nut	3
#12	PVC shoe	2



WHEN ORDERING parts, be sure to specify the size or model number of the sealer, in addition to the part number.